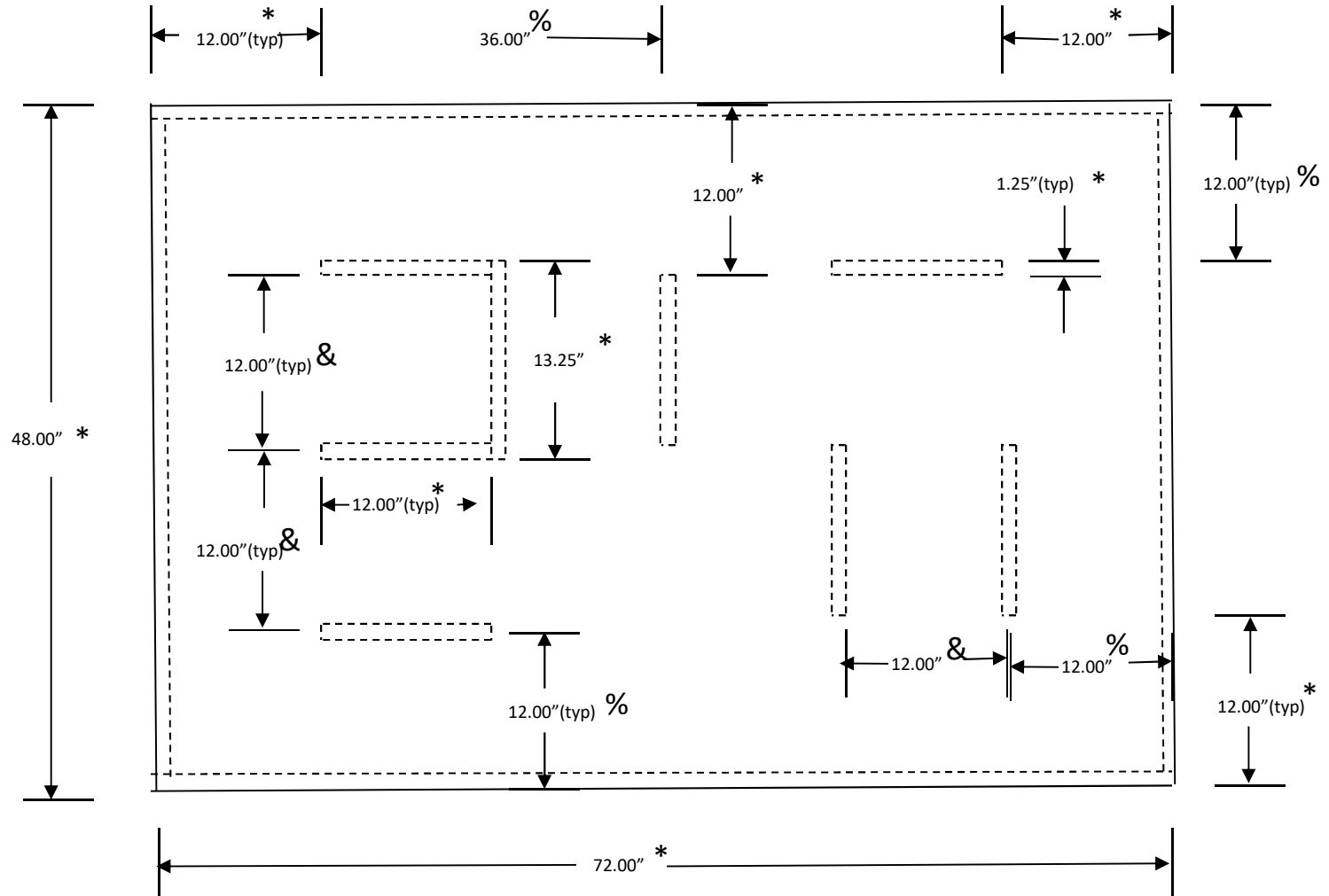
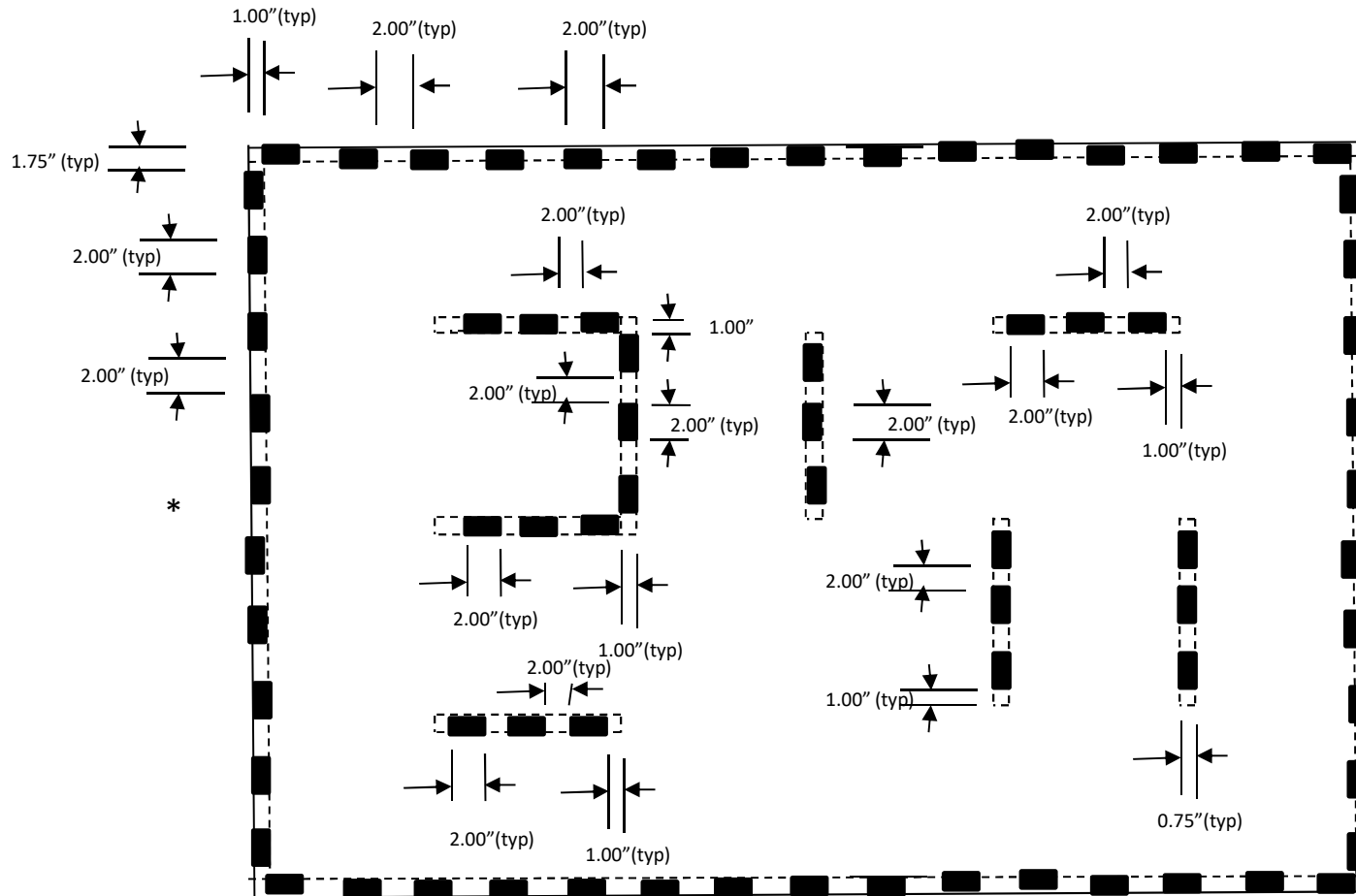


# 1 1/8" x 1/4" supports (mounted on bottom of 1/4" luan panel)

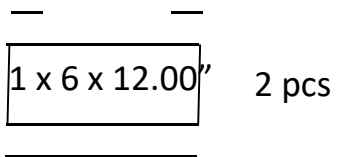
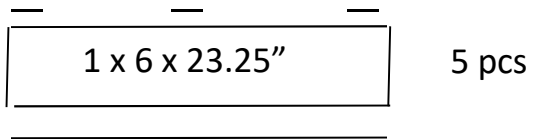
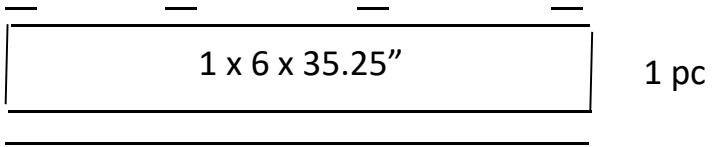
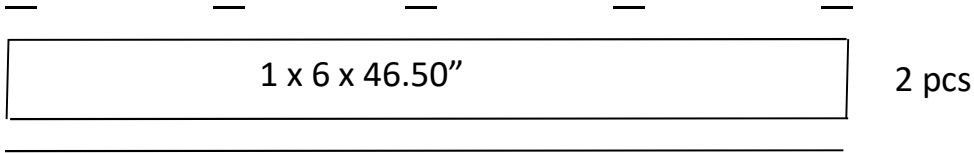
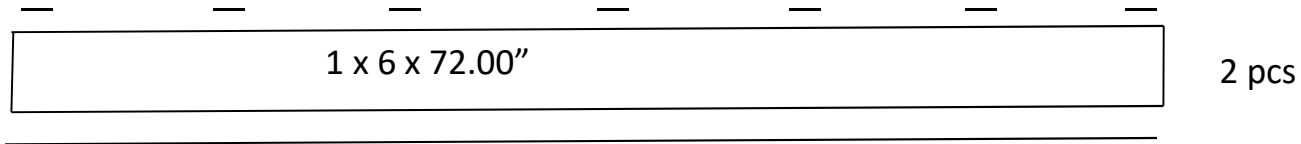


- \* = Measurement is edge to edge
- % = Measurement is edge to center
- & = Measurement is center to center

# 3/4" Velcro stapled to surface of course (three staples per each 2" velcro strip)



# Wall Pieces \*



\* Actual wood dimensions of 1 x 6 lumber is .75" x 5.50"

Lines indicate approximate locations of full strip and 2.00" segments of Velcro

2 - 1' Wall  
5 - 2' Wall  
1 - 3' Wall

