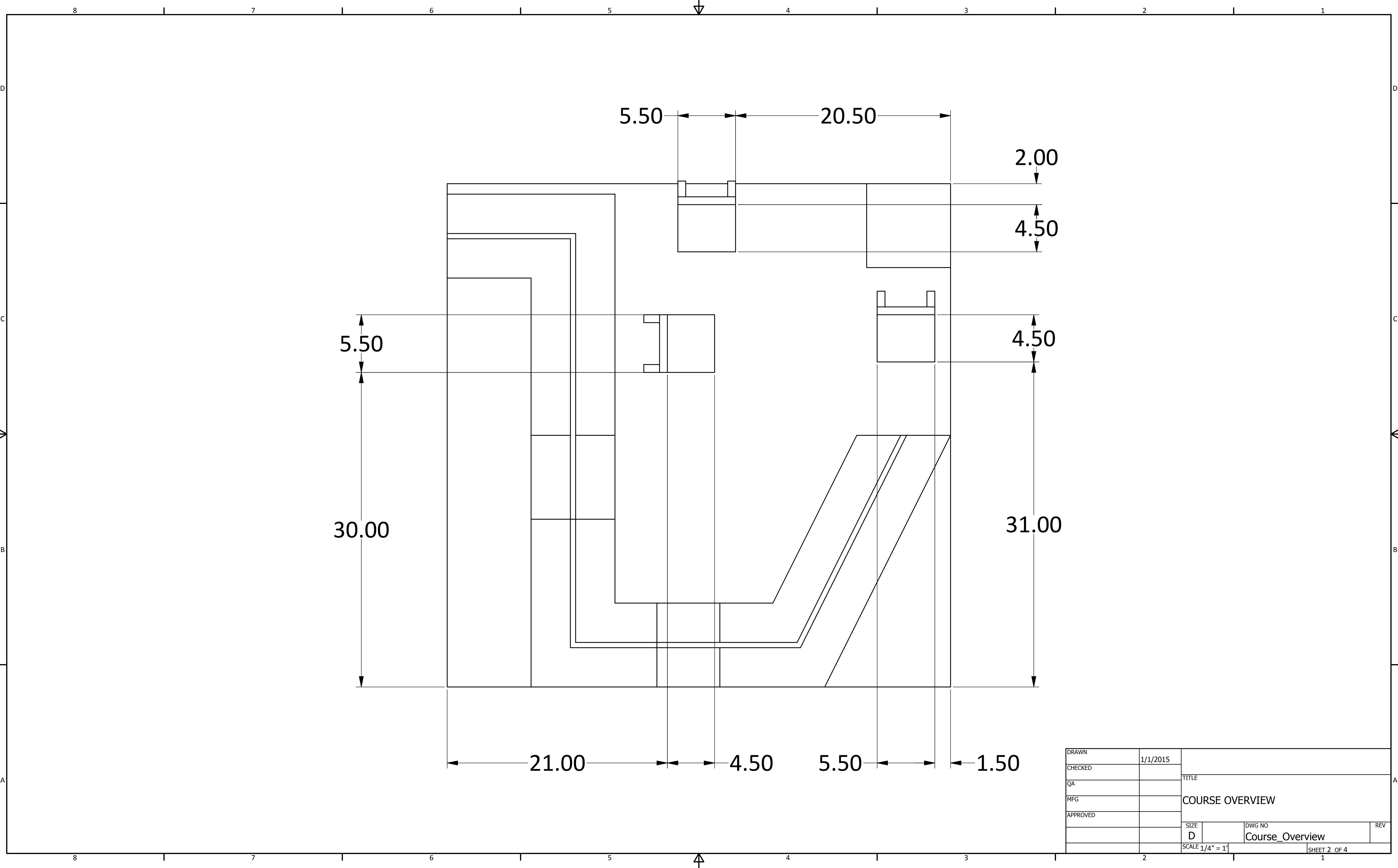
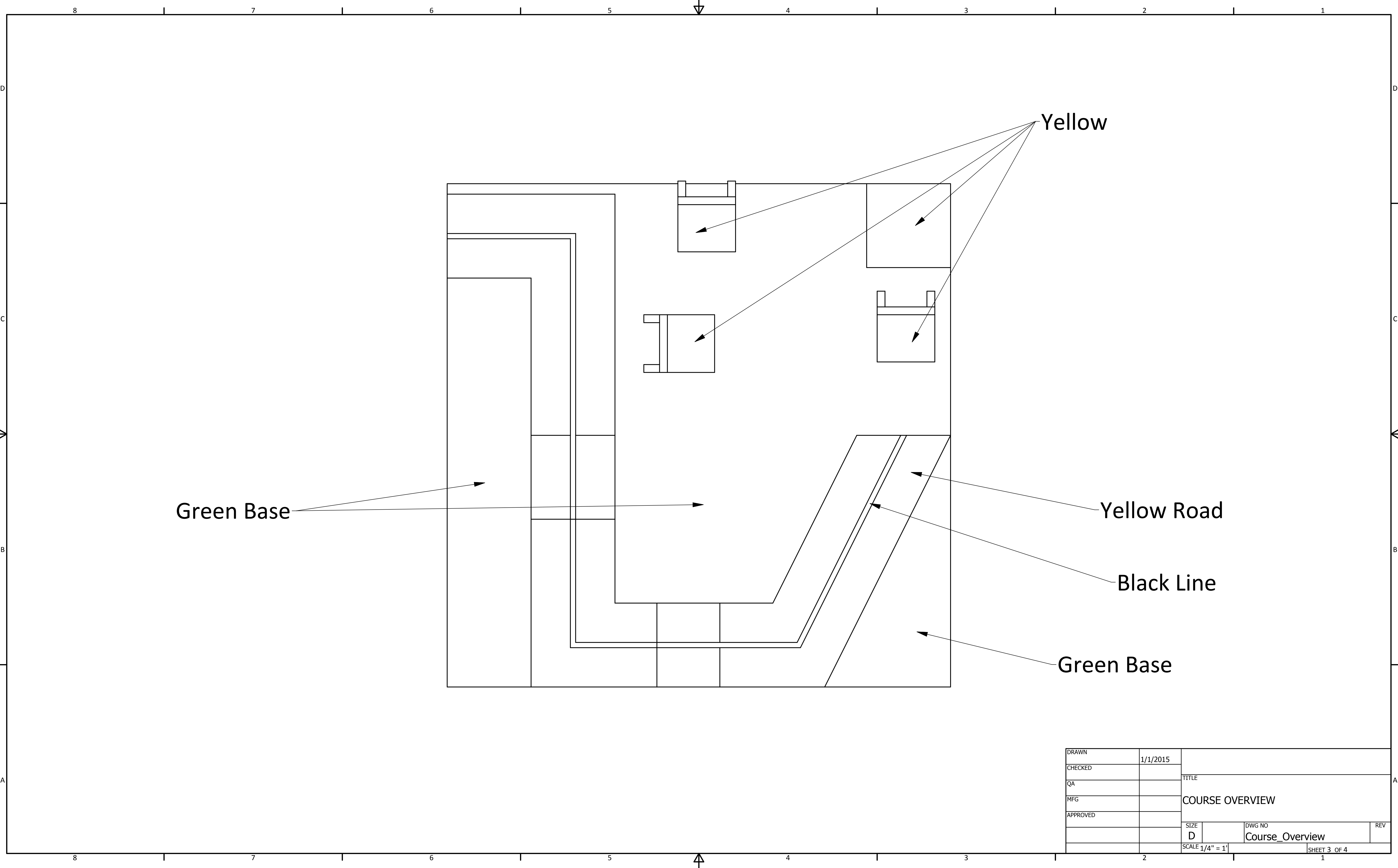


DRAWN	1/1/2015	TITLE	
CHECKED		COURSE OVERVIEW	
QA		SIZE	DWG NO
MFG		D	Course_Overview
APPROVED		SCALE	REV
		1/4" = 1'	
		SHEET 1 OF 4	



DRAWN	1/1/2015	TITLE		
CHECKED		COURSE OVERVIEW		
QA		SIZE	DWG NO	REV
MFG		D	Course_Overview	
APPROVED		SCALE 1/4" = 1'		SHEET 2 OF 4



Green Base

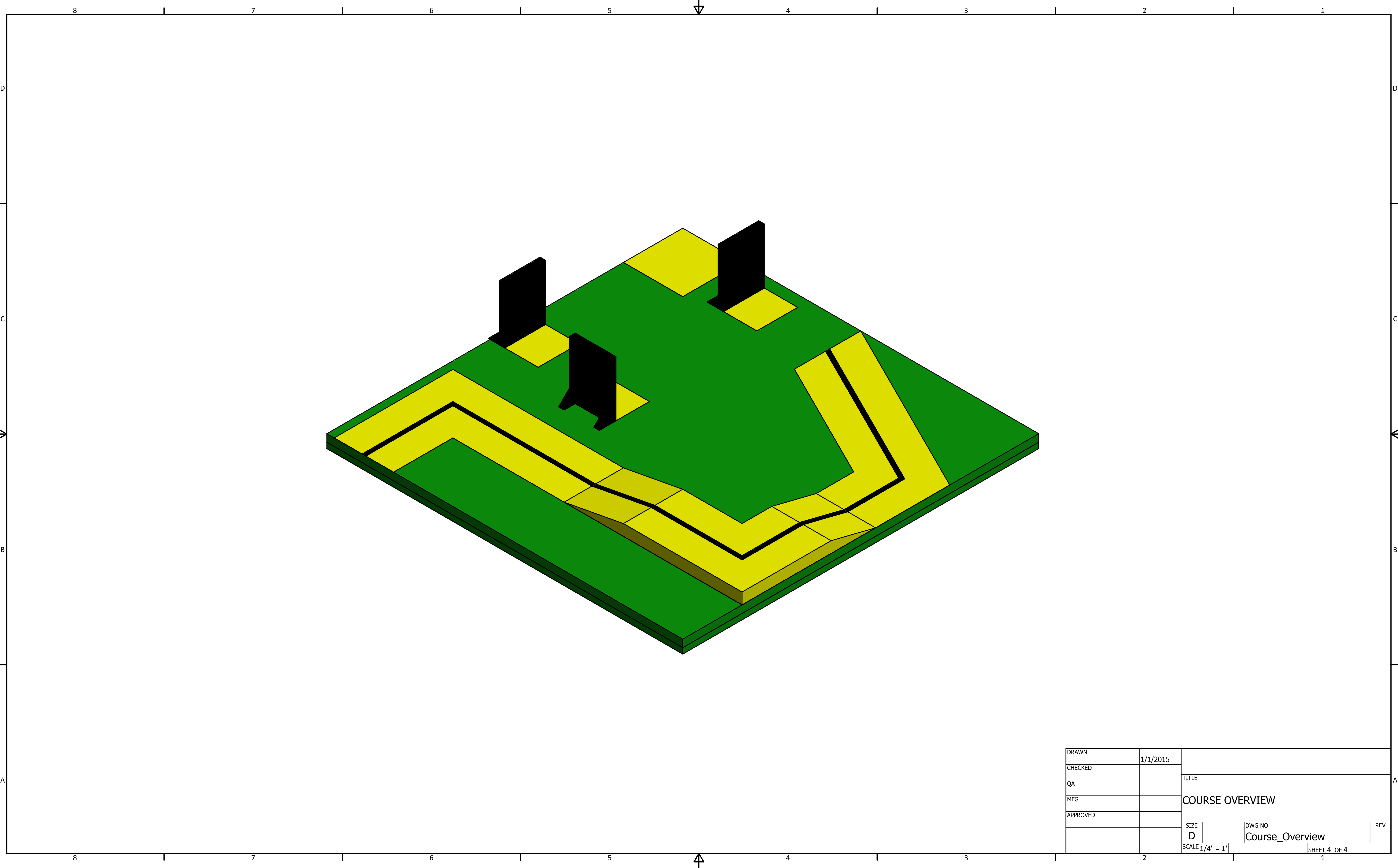
Yellow

Yellow Road

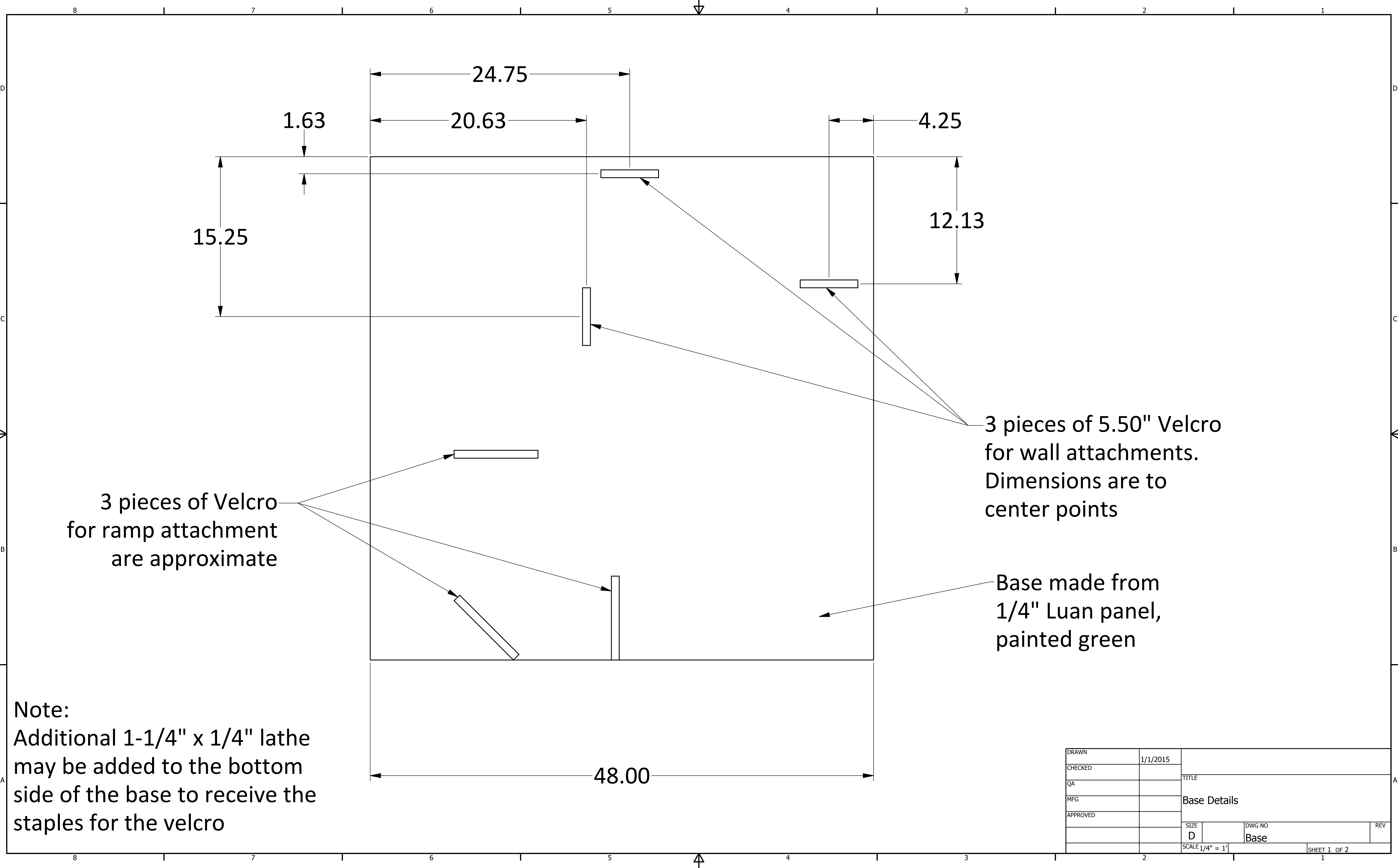
Black Line

Green Base

DRAWN	1/1/2015	TITLE		
CHECKED		COURSE OVERVIEW		
QA		SIZE	DWG NO	REV
MFG		D	Course_Overview	
APPROVED		SCALE 1/4" = 1'		
		SHEET 3 OF 4		



DRAWN	1/1/2015	TITLE		
CHECKED		COURSE OVERVIEW		
QA		SIZE	DWG NO	REV
MFG		D	Course_Overview	
APPROVED		SCALE 1/4" = 1'		SHEET 4 OF 4



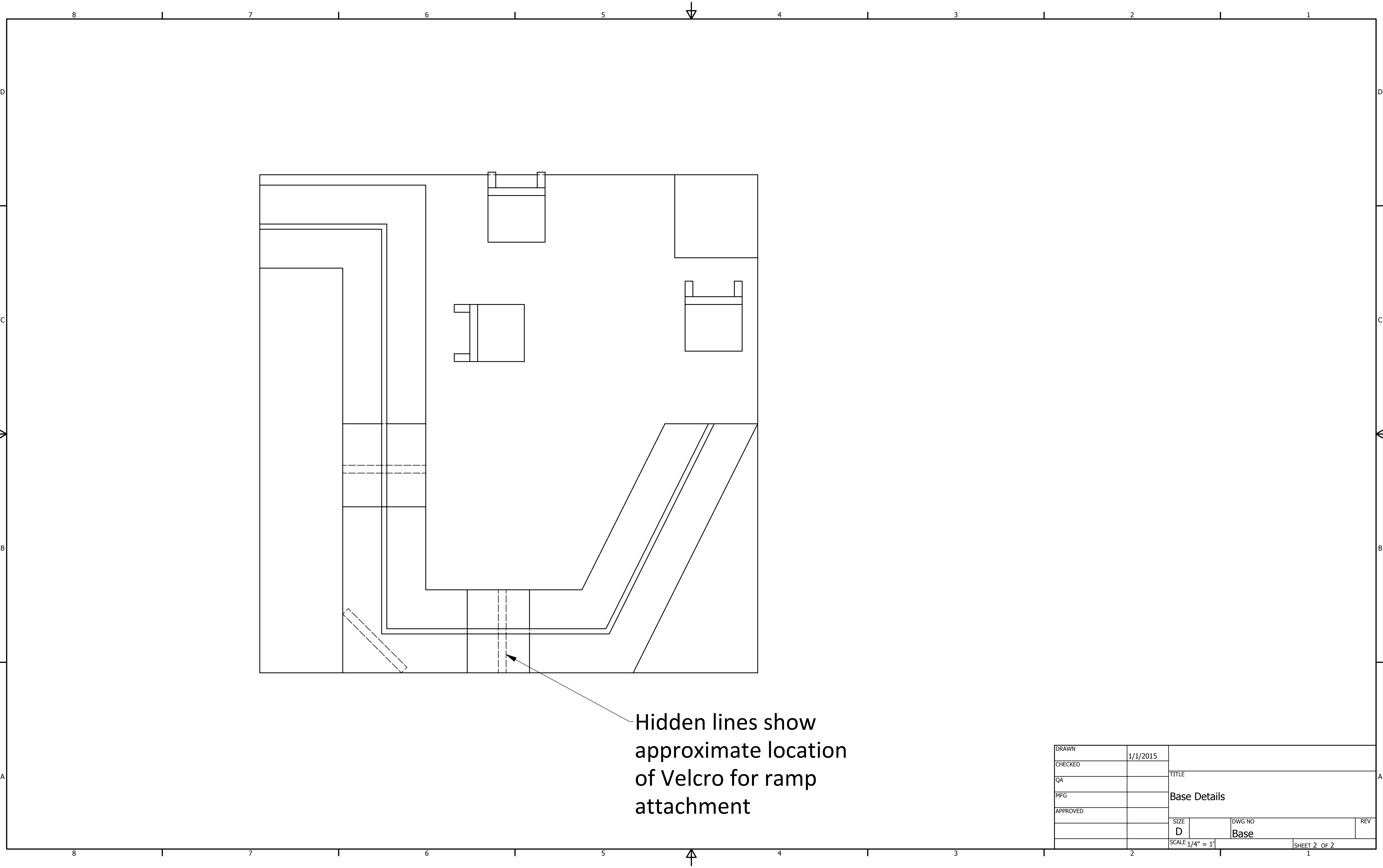
Note:
 Additional 1-1/4" x 1/4" lathe
 may be added to the bottom
 side of the base to receive the
 staples for the velcro

3 pieces of Velcro
 for ramp attachment
 are approximate

3 pieces of 5.50" Velcro
 for wall attachments.
 Dimensions are to
 center points

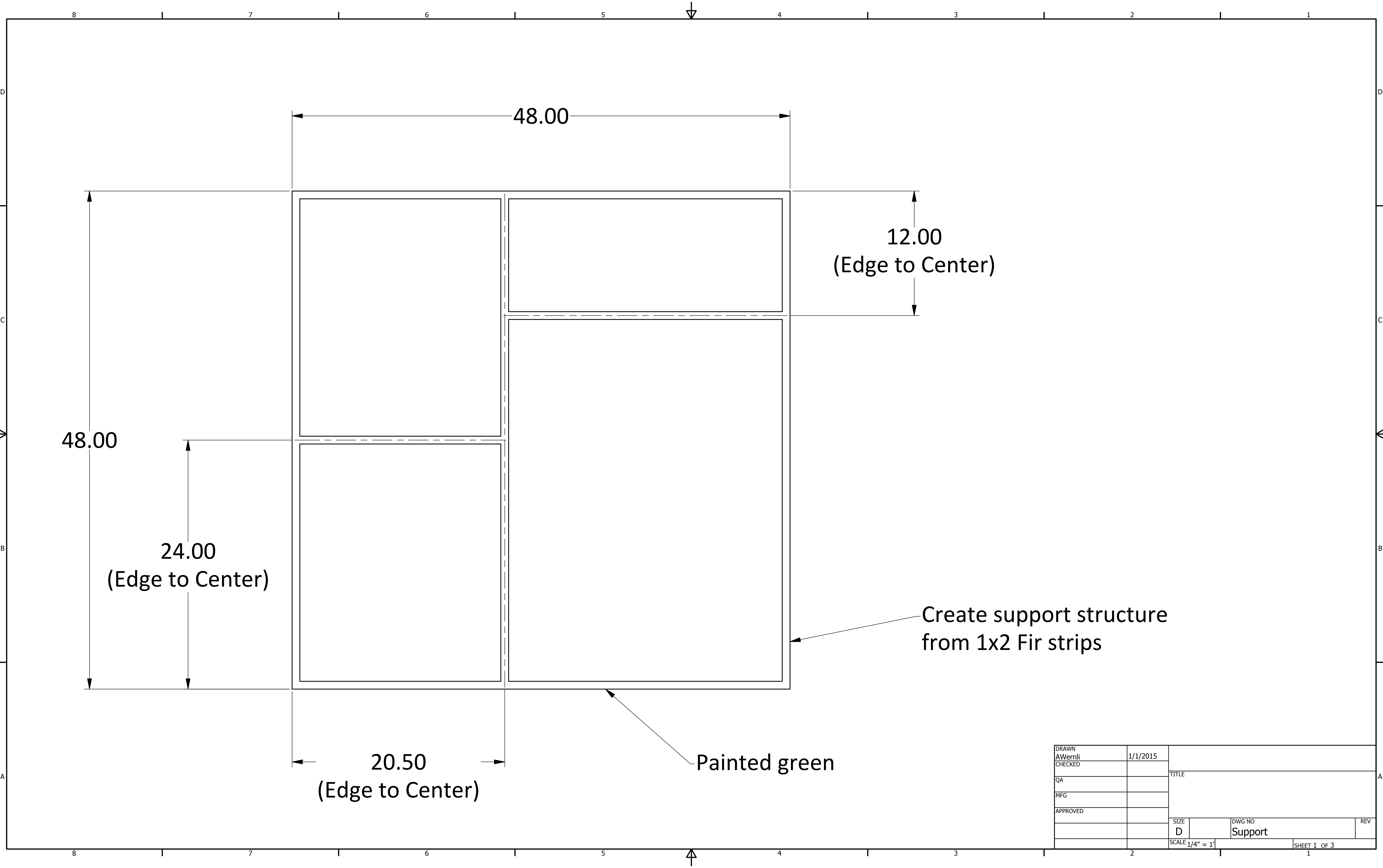
Base made from
 1/4" Luan panel,
 painted green

DRAWN	1/1/2015	TITLE		
CHECKED		Base Details		
QA		SIZE	DWG NO	REV
MFG		D	Base	
APPROVED		SCALE 1/4" = 1'		
		SHEET 1 OF 2		

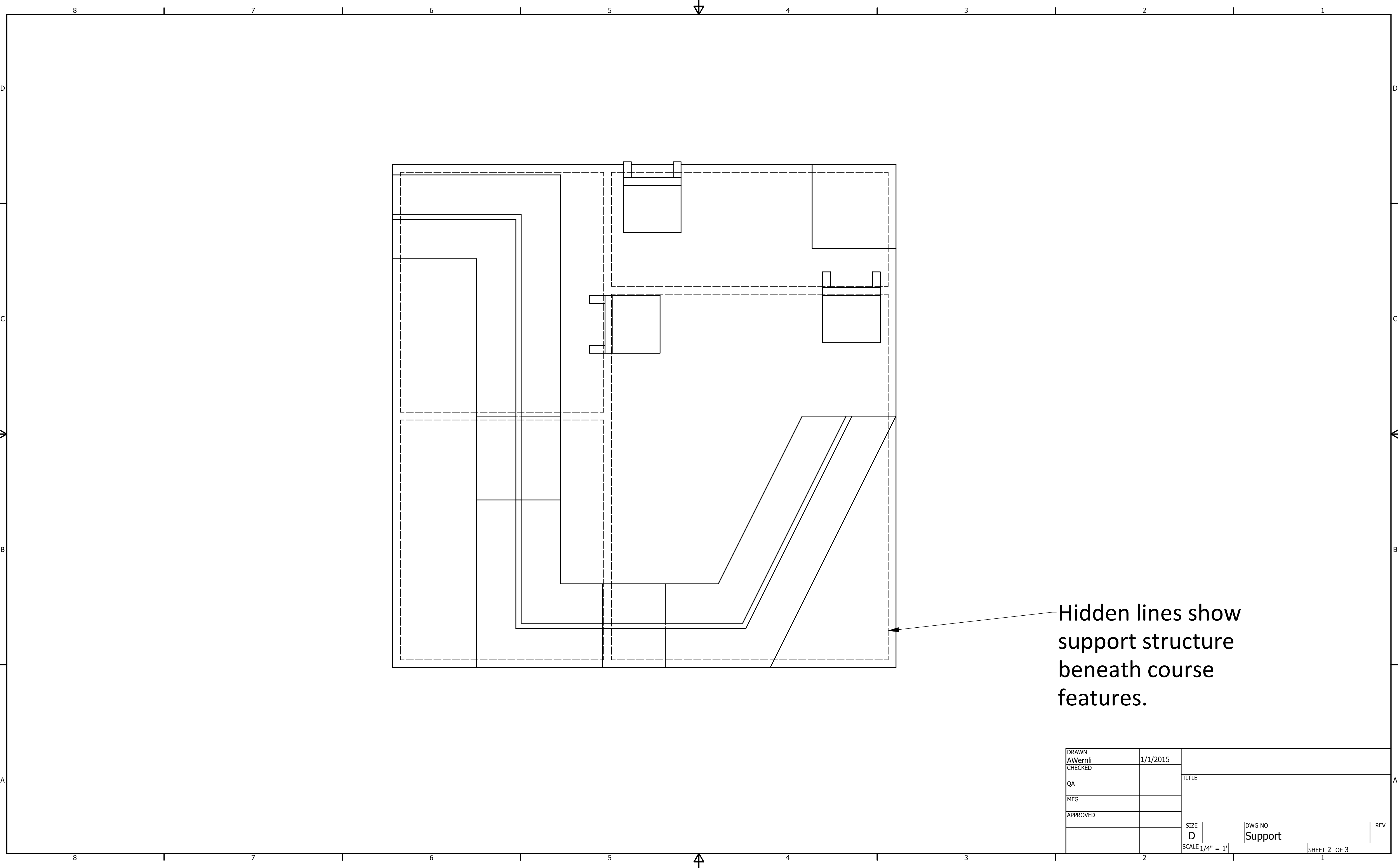


Hidden lines show
approximate location
of Velcro for ramp
attachment

DRAWN	1/1/2015	TITLE		
CHECKED		Base Details		
QA		SIZE	DWG NO	REV
MFG		D	Base	
APPROVED		SCALE 1/4" = 1'		
		SHEET 2 OF 2		

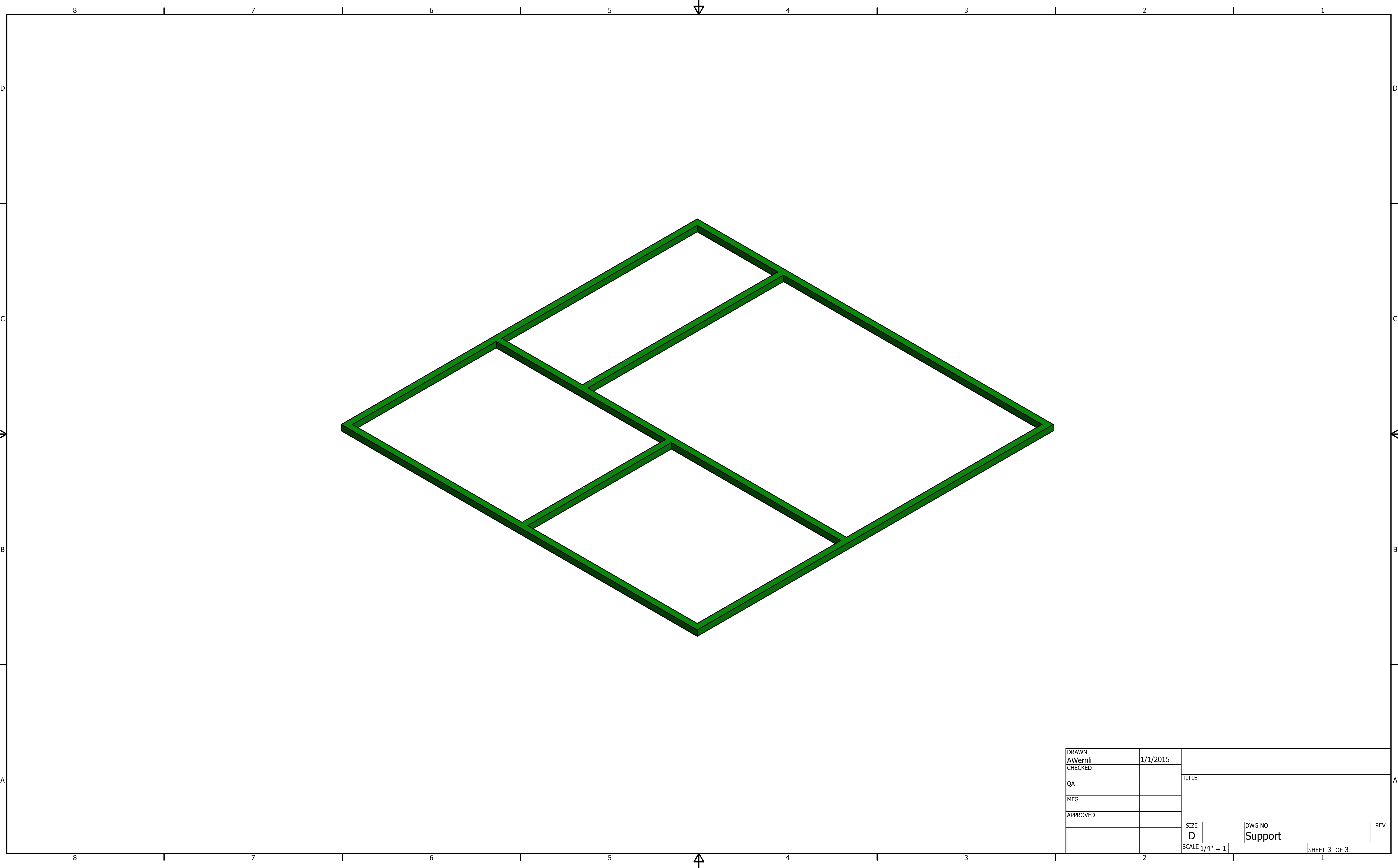


DRAWN AWernli	1/1/2015			
CHECKED		TITLE		
QA				
MFG				
APPROVED				
		SIZE D	DWG NO Support	REV
		SCALE 1/4" = 1'		SHEET 1 OF 3

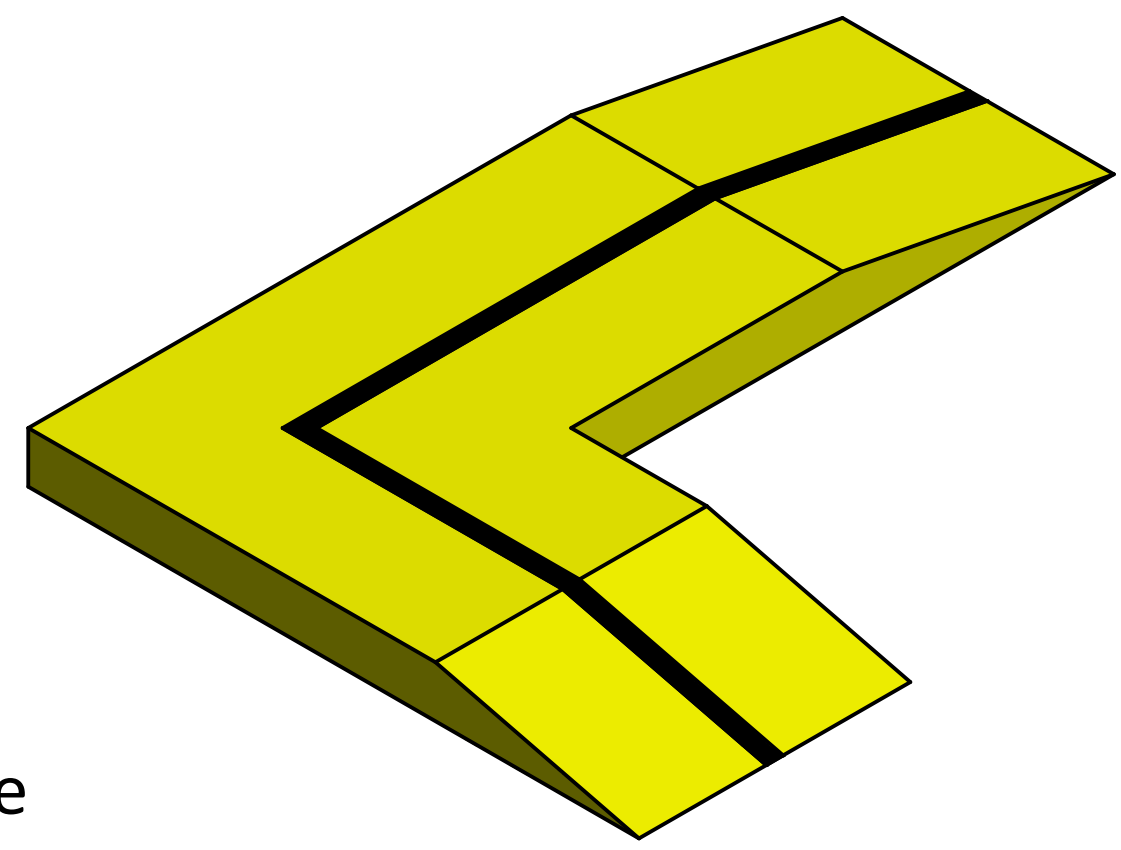
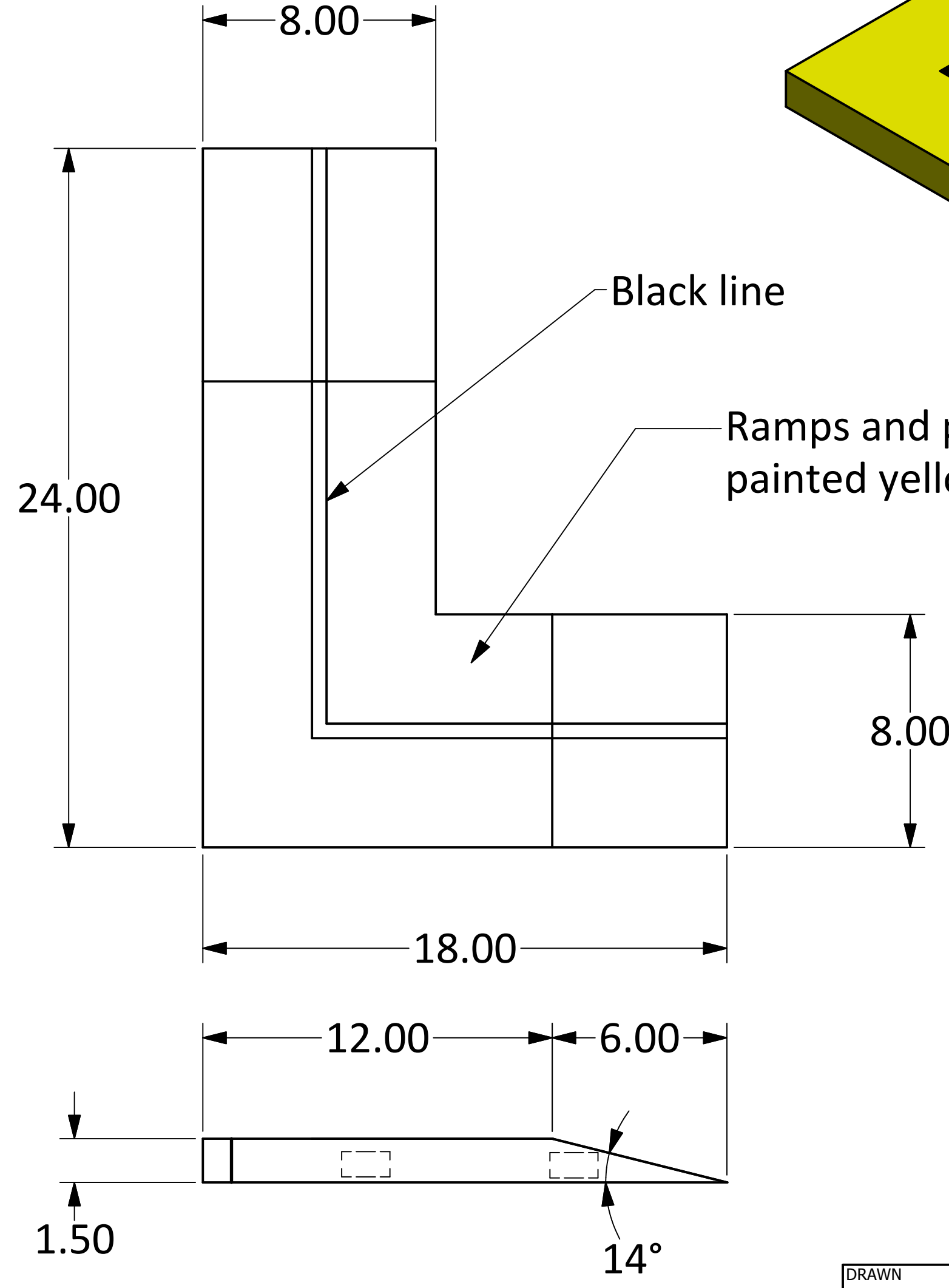
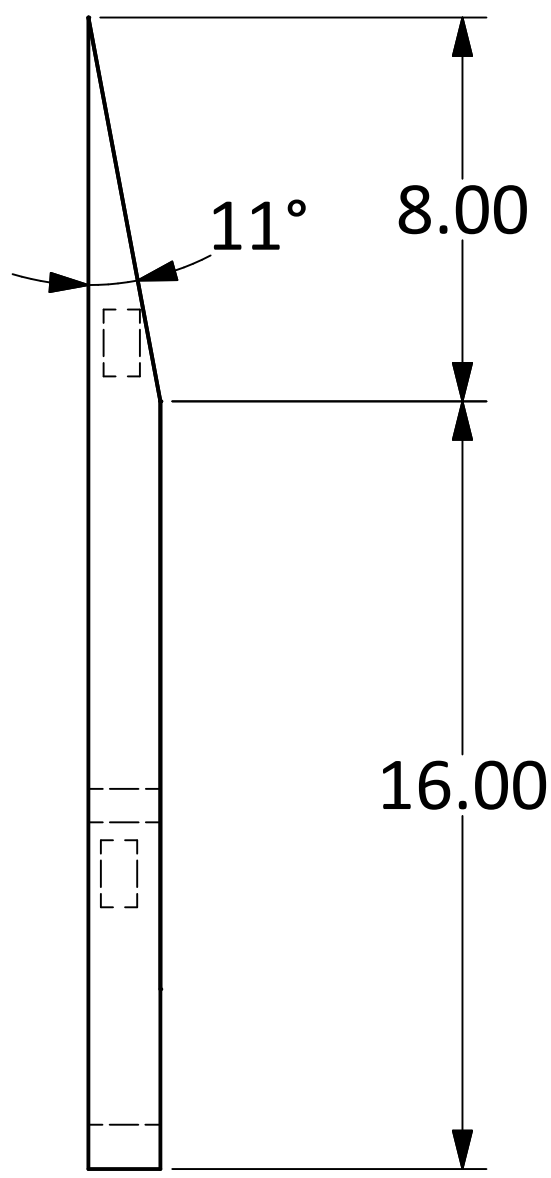
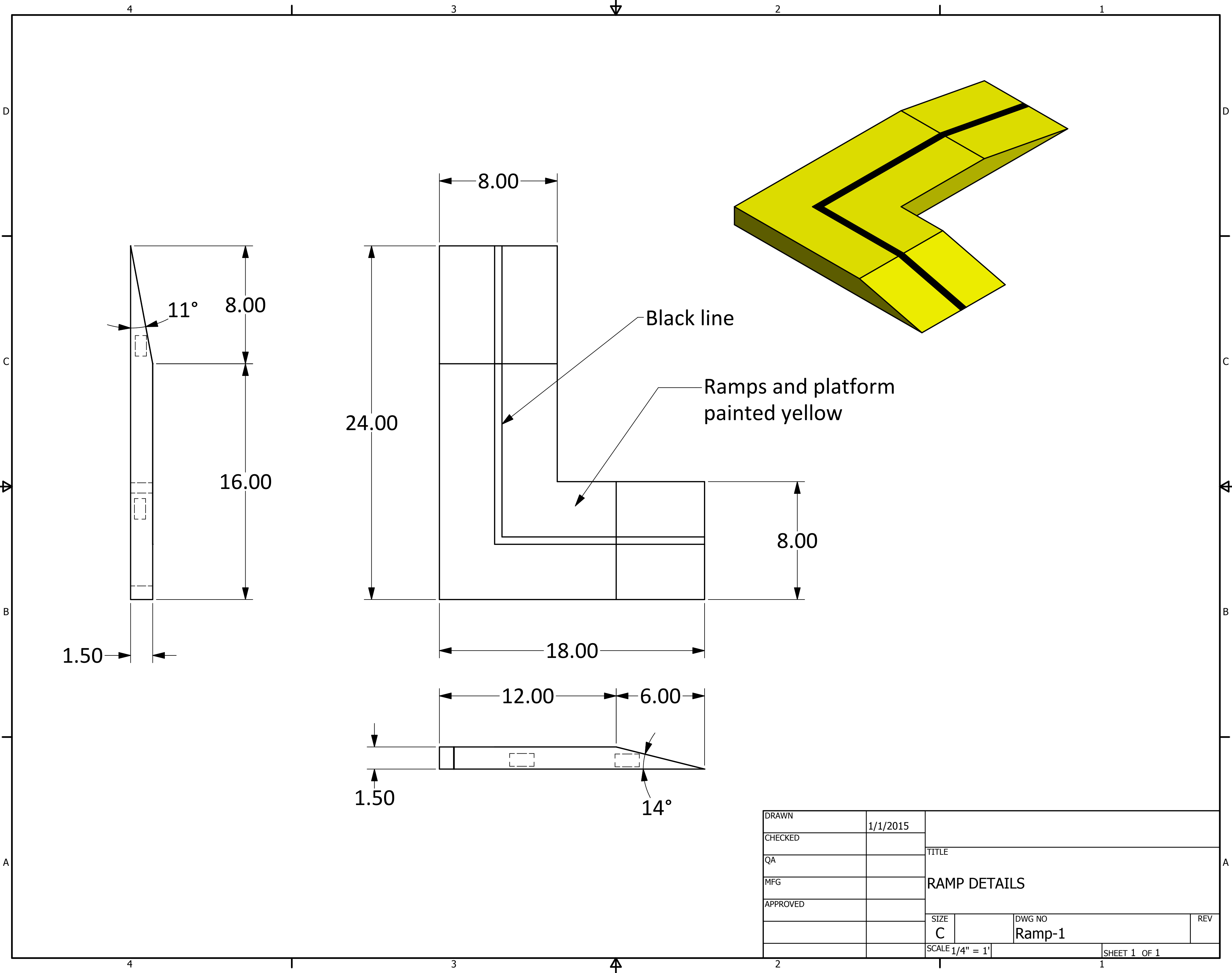


Hidden lines show support structure beneath course features.

DRAWN	AWernli	1/1/2015	TITLE		
CHECKED			TITLE		
QA			TITLE		
MFG			TITLE		
APPROVED			TITLE		
			SIZE	DWG NO	REV
			D	Support	
SCALE 1/4" = 1'			SHEET 2 OF 3		



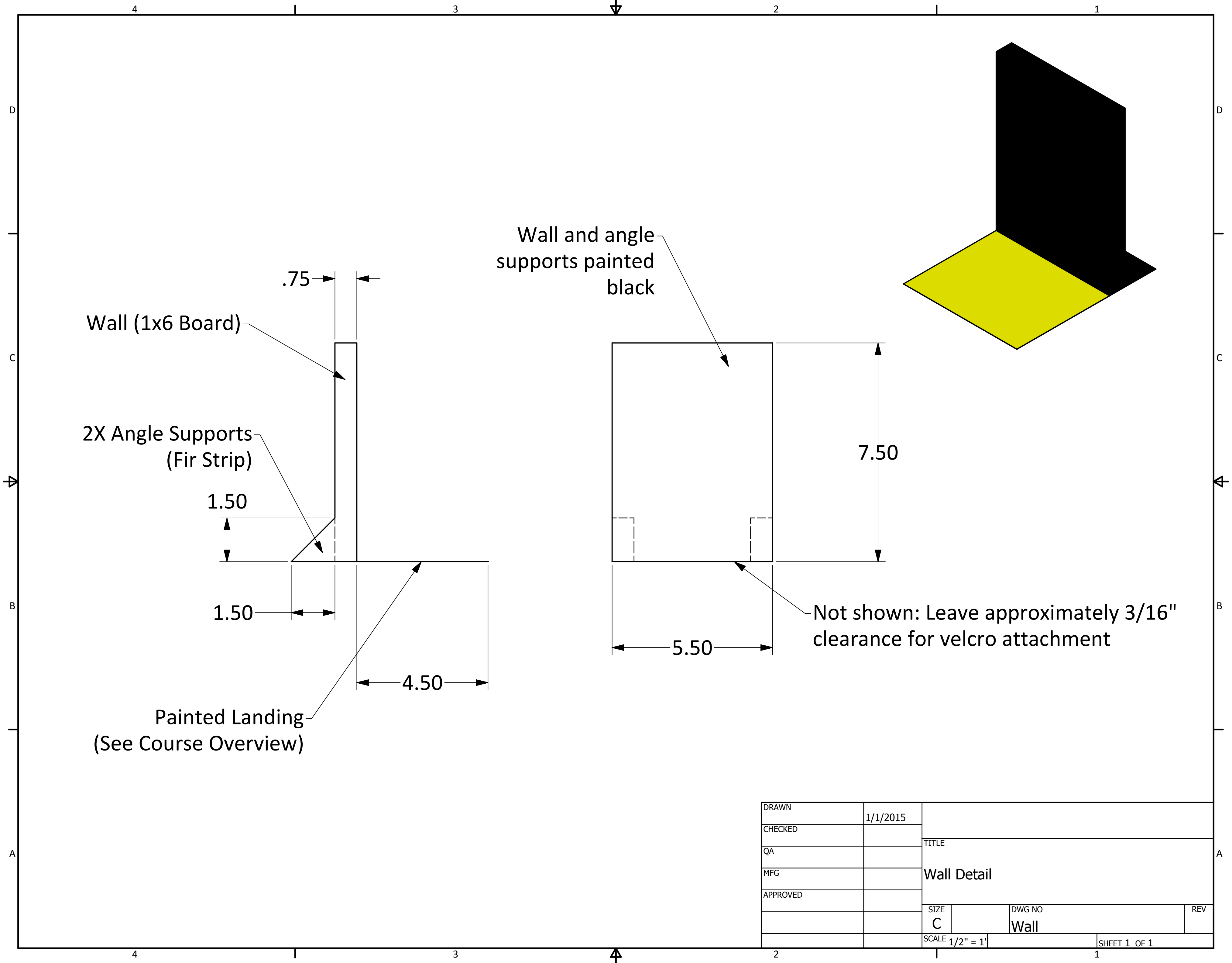
DRAWN	AWernli	1/1/2015			
CHECKED			TITLE		
QA					
MFG					
APPROVED					
			SIZE	DWG NO	REV
			D	Support	
SCALE 1/4" = 1'			SHEET 3 OF 3		



Black line

Ramps and platform painted yellow

DRAWN	1/1/2015	TITLE		
CHECKED		RAMP DETAILS		
QA		SIZE	DWG NO	REV
MFG		C	Ramp-1	
APPROVED		SCALE 1/4" = 1'		SHEET 1 OF 1



Wall (1x6 Board)

2X Angle Supports
(Fir Strip)

Painted Landing
(See Course Overview)

Wall and angle
supports painted
black

Not shown: Leave approximately 3/16"
clearance for velcro attachment

DRAWN	1/1/2015	TITLE		
CHECKED		Wall Detail		
QA		SIZE	DWG NO	REV
MFG		C	Wall	
APPROVED		SCALE 1/2" = 1'		SHEET 1 OF 1