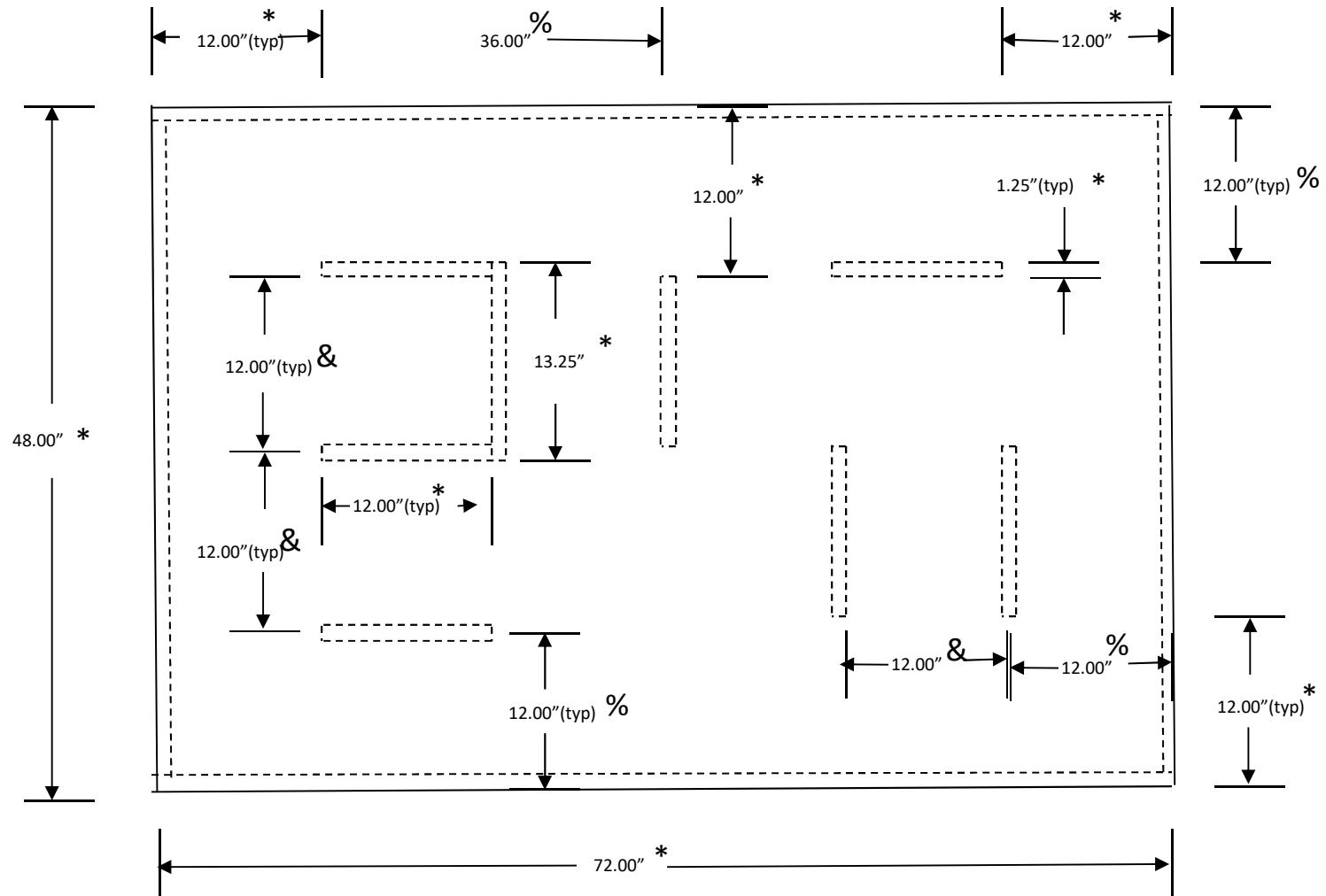


1 1/8" x 1/4" supports (mounted on bottom of 1/4" luan panel)

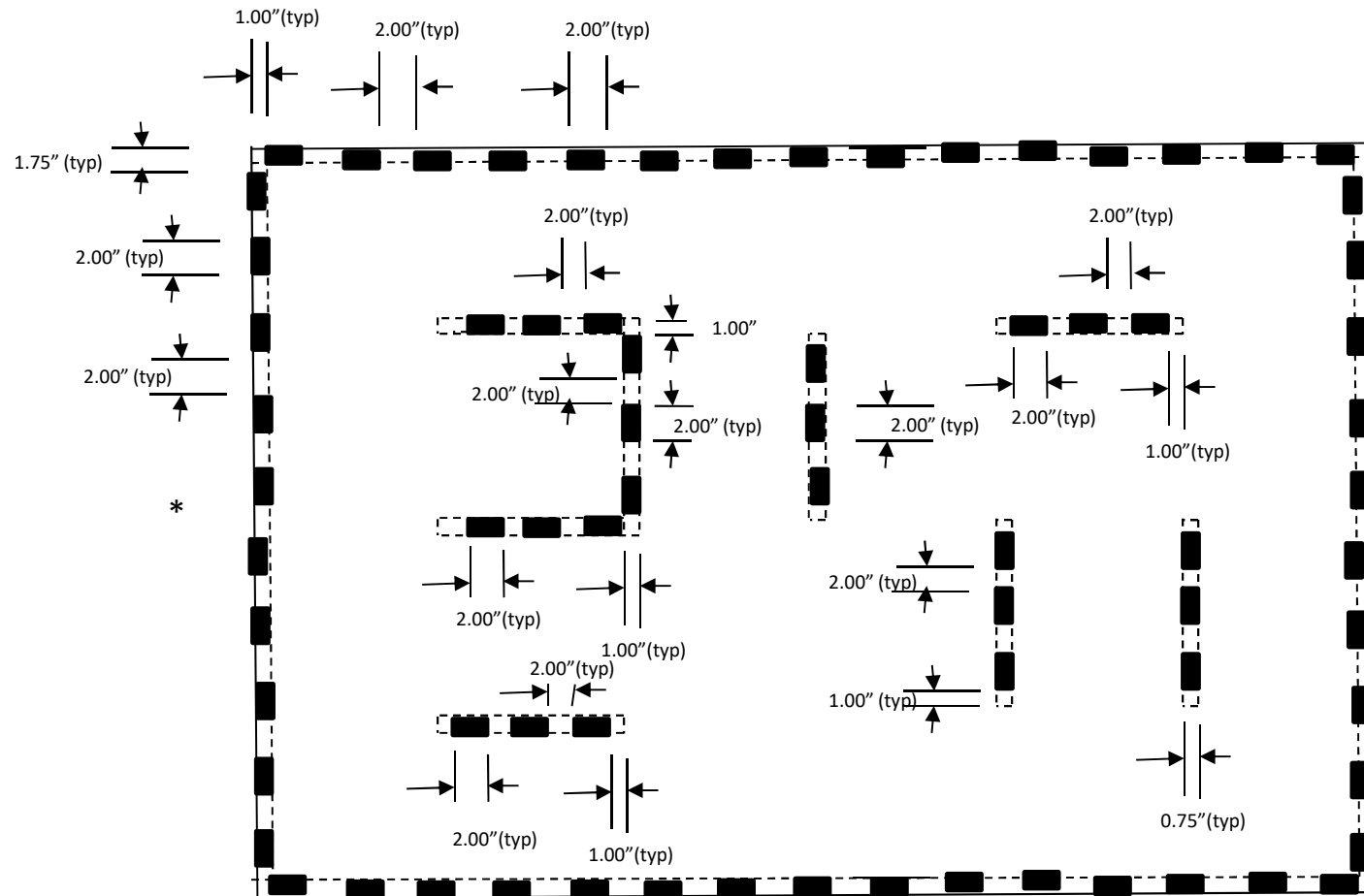


* = Measurement is edge to edge

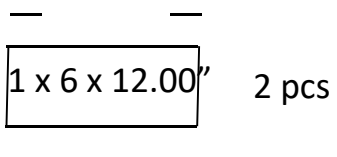
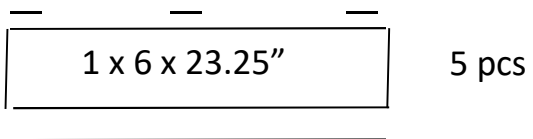
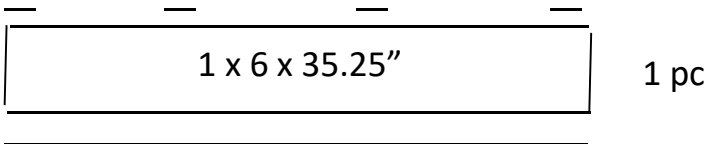
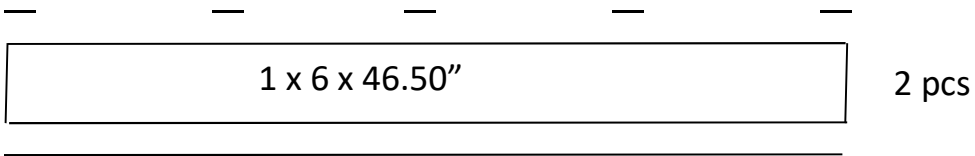
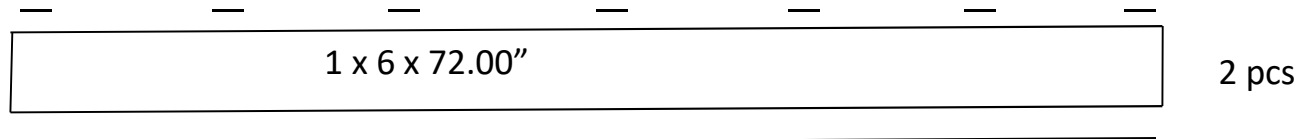
% = Measurement is edge to center

& = Measurement is center to center

3/4" Velcro stapled to surface of course (three staples per each 2" velcro strip)



Wall Pieces *



* Actual wood dimensions of 1 x 6 lumber is .75" x 5.50"

Lines indicate approximate locations of full strip and 2.00" segments of Velcro

Layout

