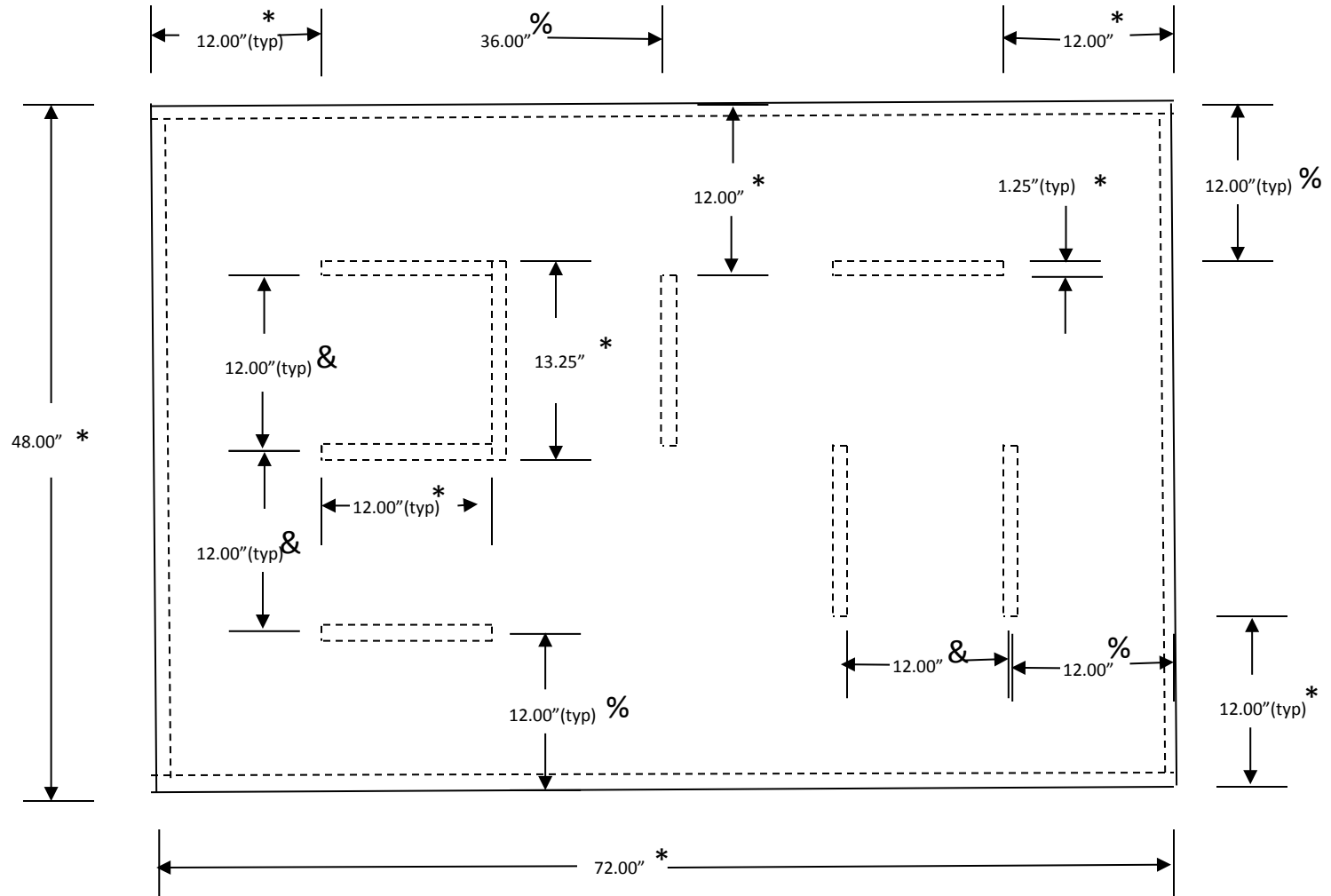


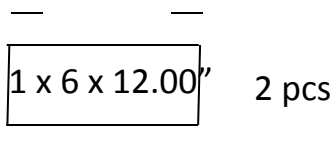
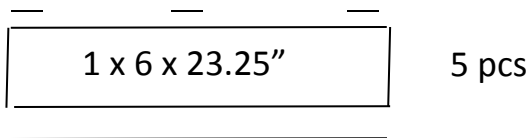
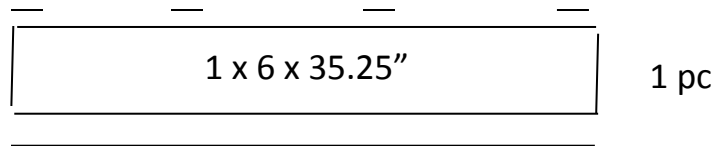
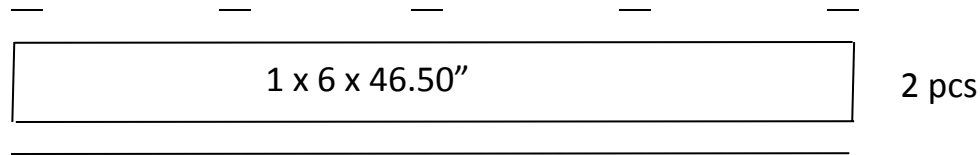
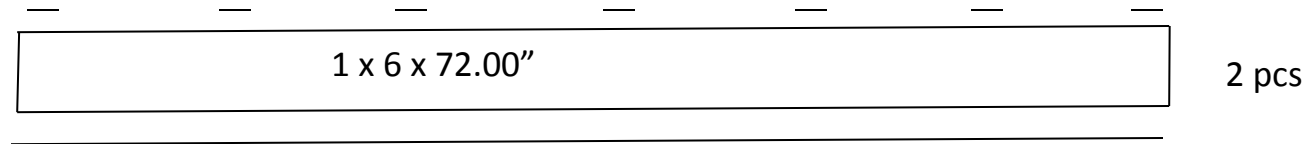
Maze Runner

1 1/8" x 1/4" supports (mounted on bottom of 1/4" luan panel)



- * = Measurement is edge to edge
- % = Measurement is edge to center
- & = Measurement is center to center

Maze Runner Wall Pieces *



* Actual wood dimensions of 1 x 6 lumber is .75" x 5.50"
Lines indicate approximate locations of full strip and 2.00" segments of Velcro

Maze Runner

Wall Configuration for 2016 Shocker MINDSTORMS Challenge

